



CITY OF FRAMINGHAM
DEPARTMENT OF PUBLIC WORKS

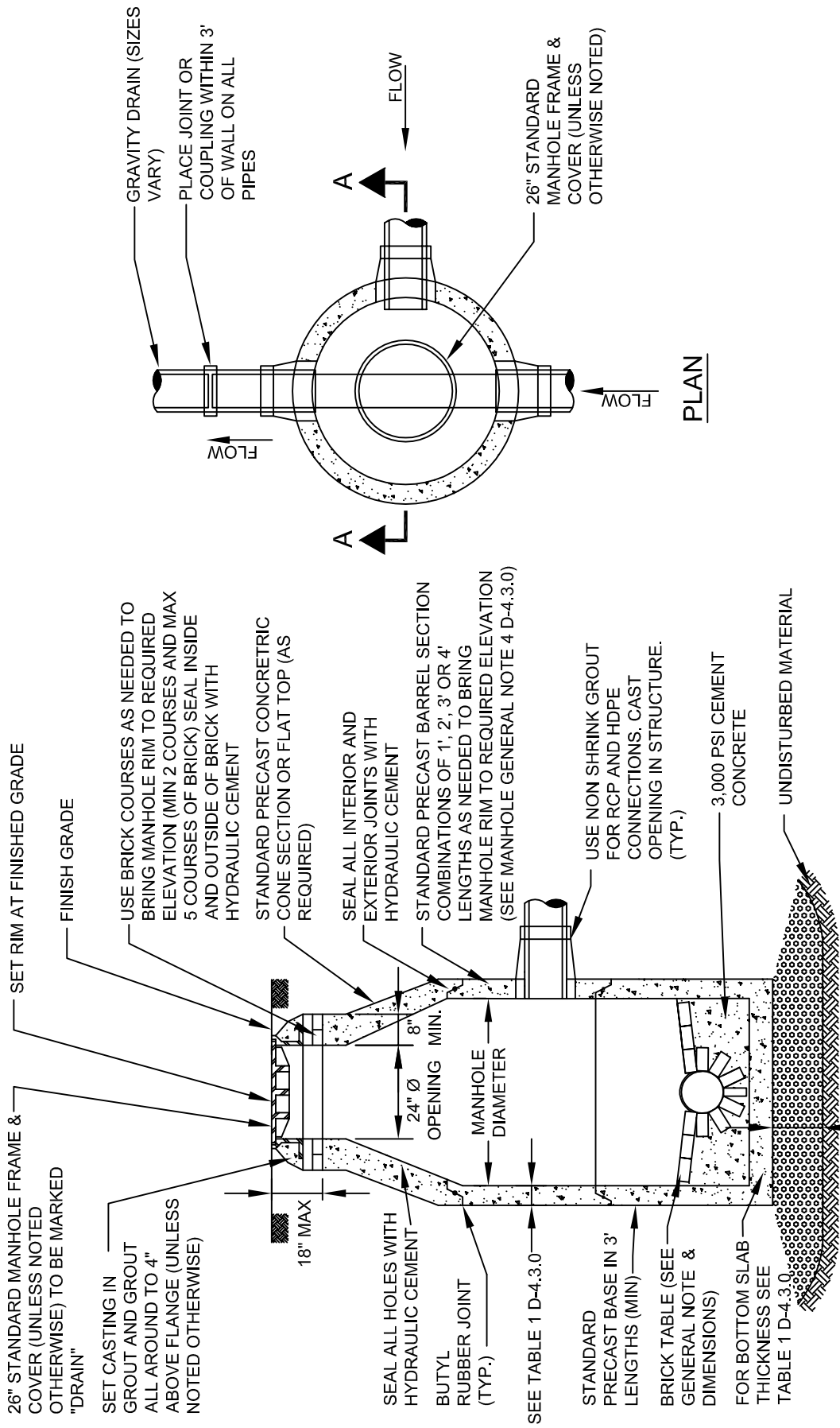
TYPICAL DRAIN MANHOLE

DATE:
MARCH 2017

REV:
4

DETAIL NO.

D-4.2.0



SECTION A-A

NOT TO SCALE