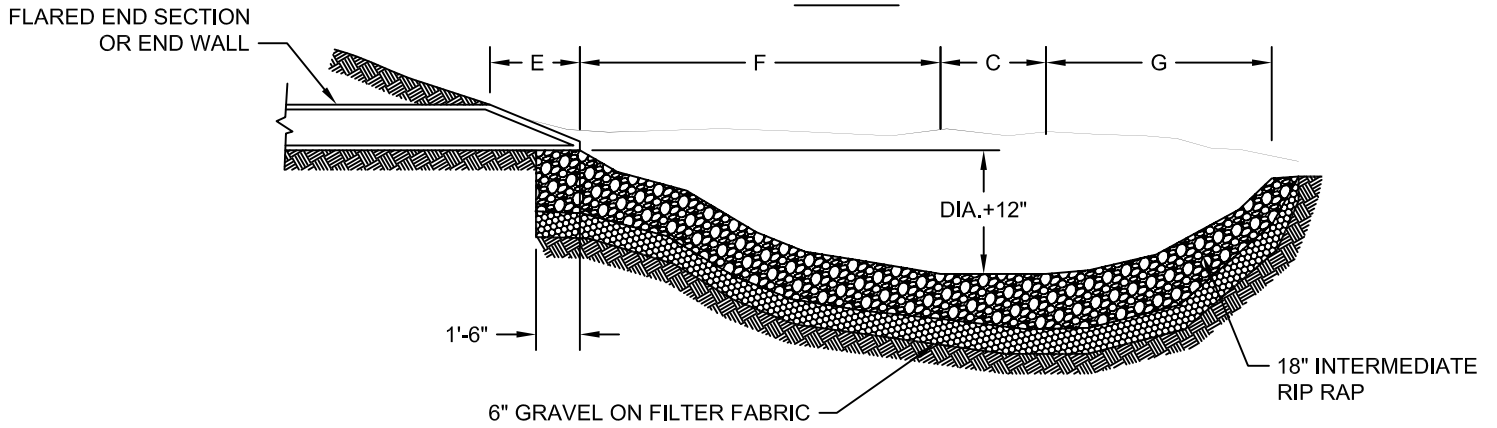


PLAN



SECTION VIEW

PIPE SIZE	A	B	C	D	E	F	G	WT. RIP RAP IN TONS
15"	10'	7'	1 ½'	1'	1'	4 ½'	3'	6
18"	12'	8'	2'	1'	1'	5'	4'	8
21"	15'	9'	2 ½'	1 ½'	1'	7'	4 ½'	12
24"	17'	10'	2 ½'	1 ½'	1'	8'	5 ½'	15
30"	20'	13'	3'	2'	2'	9'	6'	22
36"	24'	16'	3 ½'	2'	2'	9 ½'	7'	33

NOTES:

1. THIS DETAIL IS TO ONLY BE USED WHEN OUTFALL HAS A CONTINUOUS FLOW OF WATER AND WITH PRIOR APPROVAL OF THE ENGINEERING DIVISION.

NOT TO SCALE



CITY OF FRAMINGHAM
DEPARTMENT OF PUBLIC WORKS

RIP RAP PLUNGE POOL

DATE:
SEPT. 2008

REV:
0

DETAIL NO.

D-4.4.1