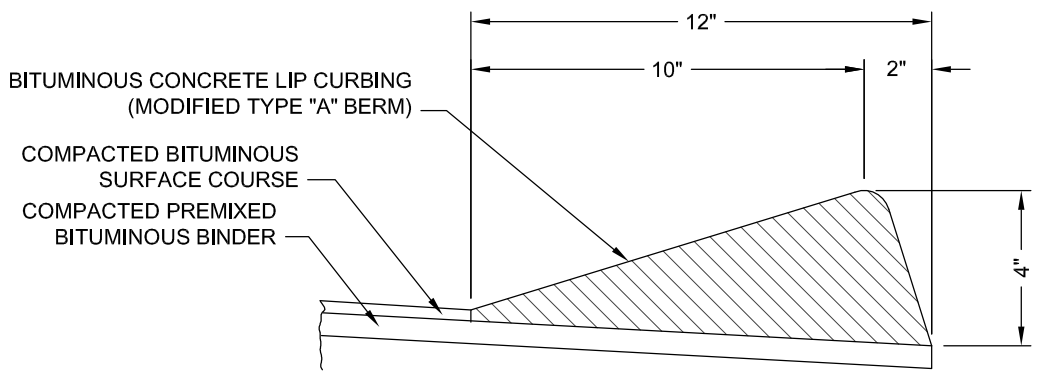
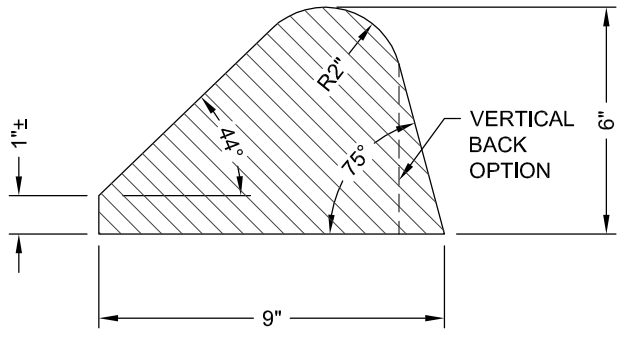


* THIS DIMENSION VARIES WITH THICKNESS OF TOP COURSE AND SLOPE OF SHOULDER.

TYPE "A" BERM



MODIFIED TYPE "A" BERM



TYPE - 2 BERM

NOT TO SCALE



TOWN OF FRAMINGHAM
DEPARTMENT OF PUBLIC WORKS

BITUMINOUS BERMS

DATE:
SEPT. 2008

REV:
0

DETAIL NO.

R-5.1.3